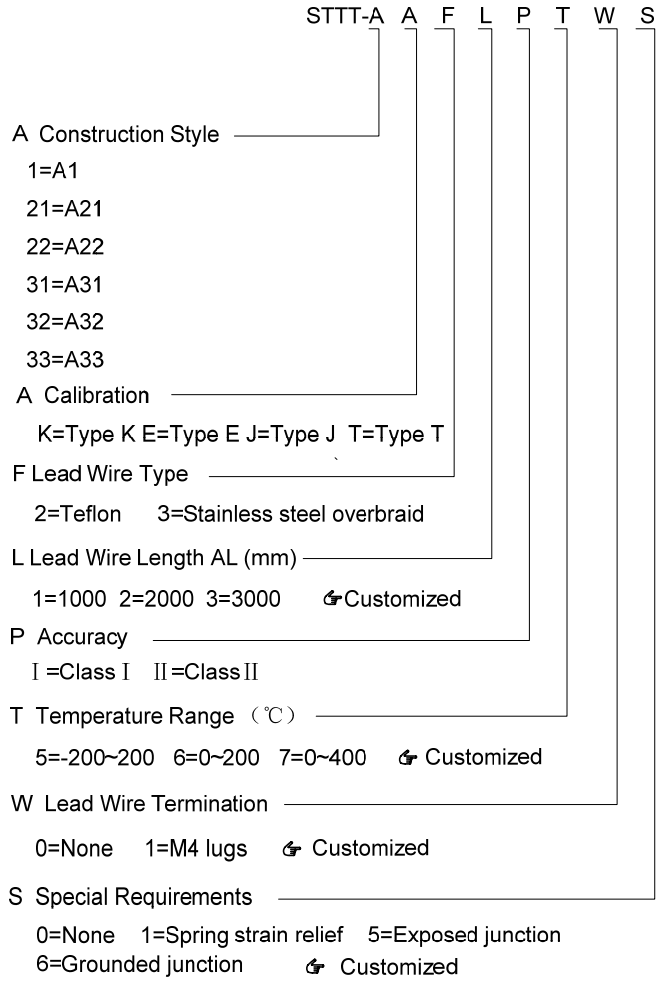


STTT-A series thermocouple

STTT-A series thermocouple has a structure with mechanical spring, making measurement side closely connected with measured object and enhancing the response time and accuracy. This product is broadly applicable to temperature monitor for plastic machine, mold, bearing and etc.

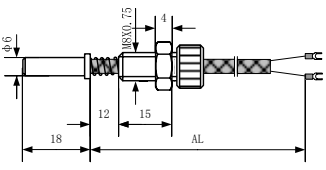

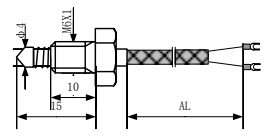

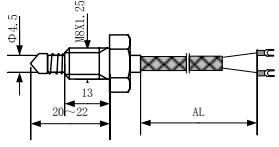

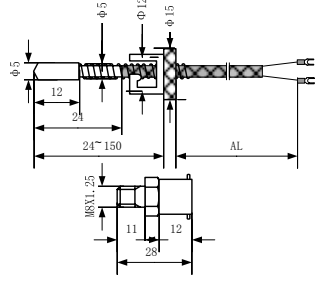

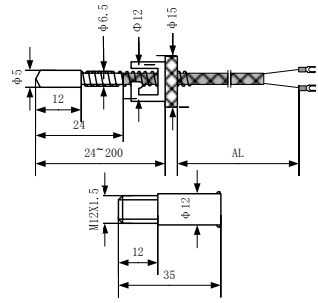

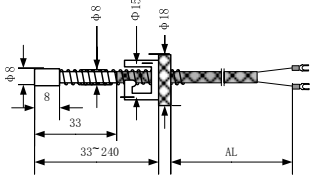



Note: 1. The 'Customized' option should be filled your requirements directly
 2. 'Special Requirements' if there are any more options, please use the '/' fill it in serial
 3. Standard products for supply are Ungrounded junction type.

Order Example: STTT-A21----AK----F2-----L2-----P II-----T0~300-----W1-----S0

style code
Type K
Teflon AL=2000mm
Class II
0~300°C
M4 lugs
None

STTT-A series thermocouple

Drawing	Picture
	
<p>Style A1</p> 	
<p>Style A21</p> 	
<p>Style A22</p> 	
<p>Style A31</p> 	
<p>Style A32</p> 	
<p>Style A33</p>	