

STTT-B series thermocouple

STTT-B series thermocouple is encapsulated by protection tubes and aluminum water-proof head. The product is widely used to measure temperature for equipments in electricity, petrochemical, ovens.

	STTT-B	A	B	C	D	N	P	T	S
B Connection Head (See Table 9)	_____								
P=Type P S=Type S L=Type L D=Type D G=Type G	_____								
A Calibration	_____								
K=Type K E=Type E J=Type J T=Type T	_____								
B Sheath O.D.(mm)	_____								
1=1.0 1.6=1.6 2=2.0 3=3.0 4=4.0 5=5.0 6=6.0 8=8.0 ☞ Customized	_____								
C EL Dimension (mm)	_____								
30=30 40=40 100=100 200=200 ☞ Customized	_____								
D Sheath Material	_____								
1=sus304 6=sus316 5=Alumina ☞ Customized	_____								
N Mounting Fittings (See Table 8)	_____								
1 None 2 Threaded Fixed Fitting 8=M8X1.25 12=M12X1.5 16=M16X1.5 20=M20X1.5 22=M22X1.5 27=M27X2 ☞ Customized See Addenda 2	3 Removable Flange 1=Bolt Fitting 2=Compression Fitting	4 Fixed Flange 1=φ 95 mm 2=φ 105mm 3=φ 115mm ☞ Customized See table 10	5 Threaded Compression Fitting 1=M8X1.25 2=M10X1.5 3=M16X1.5 ☞ Customized See table 11						
P Accuracy	_____								
I =Class I II =Class II	_____								
T Temperature Range (°C)	_____								
5=-200~200 6=0~200 7=0~400 ☞ Customized	_____								
S Special Requirements	_____								
0=None 1=Spring strain relief 5=Exposed junction 6=Grounded junction ☞ Customized	_____								

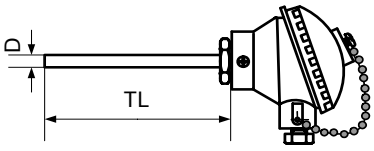

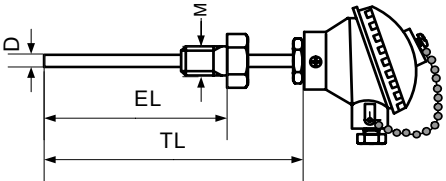

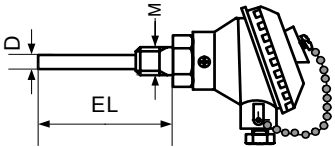

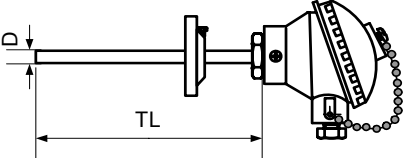

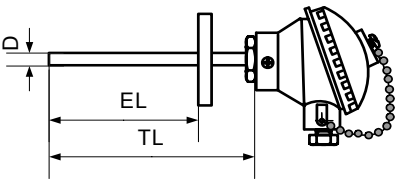

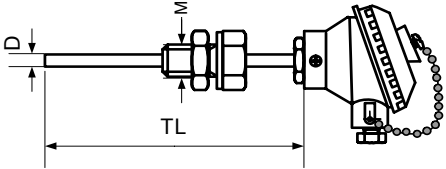

- Note: 1. The 'Customized' option should be filled your requirements directly
 2. 'Special Requirements' if there are any more options, please use the '/' fill it in seriate.
 3. Standard products will be Ungrounded. N20 without the neck.

Order example: STTT-BP-----AK-----B6-----C500-----D1-----N2G1/2-----P II-----T6-----S0
Style Code Type K O.D.=6mm L=500mm sus321 Threaded Fixed Fitting G1/2 Class II 0-200°C None

STTT-B series thermocouple

Process connection

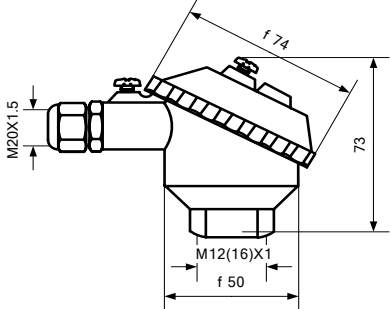

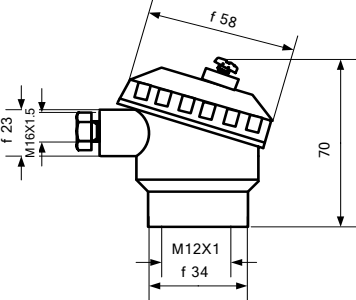

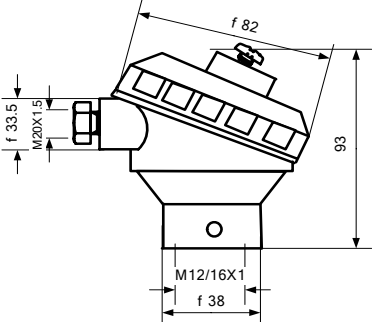

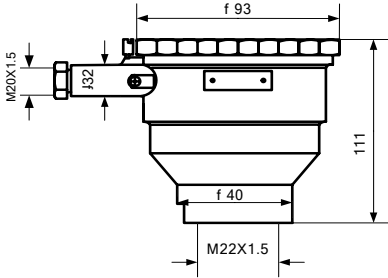

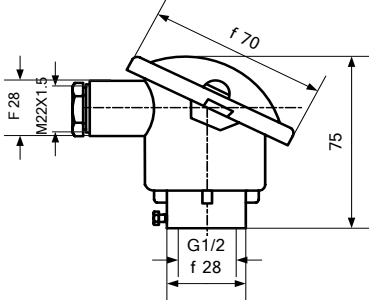

Table 8

Dimensional Drawing	Picture
	
	
	
	
	
	

STTT-B series thermocouple

Terminal Head (mm)

Table 9

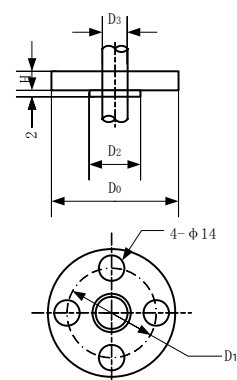
Dimensional Drawing	Picture
	 <p style="text-align: center;">Form P</p>
	 <p style="text-align: center;">Form S</p>
	 <p style="text-align: center;">Form L</p>
	 <p style="text-align: center;">Form D</p>
	 <p style="text-align: center;">Form G</p>

STTT-B series thermocouple

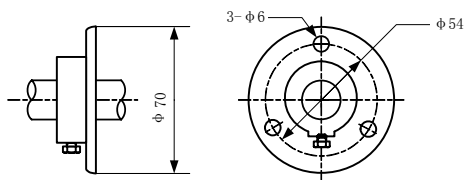
Flange (in mm)

Table 10

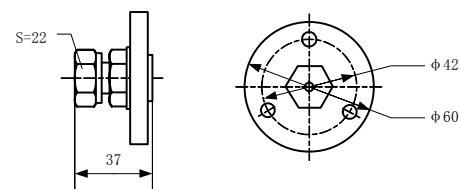
PN1.0 MPa Flange Diameter (mm) (JB/T81-94)					
D_3	D_0	D_1	D_2	H	Weight(kg)
16	95	65	45	12	0.51
12	95	65	45	12	0.51
16	105	75	55	14	0.75
12	105	75	55	14	0.75
16	115	85	65	14	0.89
12	115	85	65	14	0.89



Fixed flange



31 Screw fitting flange



32 Compression fitting flange

Compression fitting thread (in mm)

Table 11

Dimensional Drawing	Thread	Diameter (in mm)		
		L_0	S	Protection Tube Diameter
	M8X1.25	10	12	2, 3
	M10X1.5	10	12	2, 3, 4
	M16X1.5	14	22	3, 4, 5, 6, 8