

Integration temperature transmitter

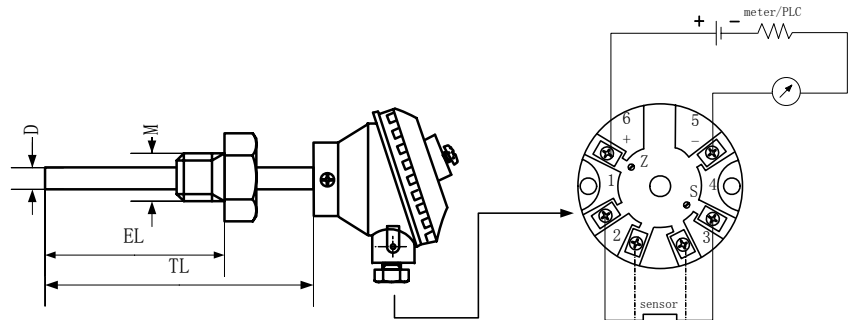
STYB series thermometer with 2-wire transmitter assembly includes stainless steel protection tube and water-proof terminal head. Typical application can be found in thermal engineering, power plants, food, pharmaceutical and chemical industry, oven, pressure vessel, air condition and refrigeration.

	STYB	B	C	D	N	T	O	P	S
B Terminal Head (See table 2)		_____							
P= Form P L=Form L D=Form D G= Form G									
B Diameter D (in mm)		_____							
3=3.0 4=4.0 5=5.0 6=6.0 8=8.0									
10=10 12=12 16=16 ⚙Customized									
C Fitting Length EL (in mm)		_____							
100=100 150=150 200=200									
250=250 300=300 ⚙Customized									
D Protection Tube		_____							
1=sus321 4=sus304 6=sus316 ⚙Customized									
N Process Connection (See table 1)		_____							
1 None 2 (20) Thread 3 Replaceable flange 4 Fixed flange 5 Compression fitting									
8=M8X1.25 1= Screw fitting 1= φ 95 mm 8=M8X1.25									
12=M12X1.5 2= Compression fitting 2= φ 105 mm 10=M10X1.5									
16=M16X1.5 3= φ 115mm 16=M16X1.5									
22=M22X1.5 ⚙Customized ⚙Customized									
27=M27X2 See table 4 See table 3									
⚙Customized									
T Range (°C)		_____							
1=-50~50 2=0~50 3=0~100 4=0~150 5=0~250 6=0~300 ⚙Customized									
O Output		_____							
A=4~20mA ⚙Customized									
P Accuracy		_____							
5=0.5% 2=0.2% 1=0.1%									
S Special Requirements		_____							
0=None 2= Mineral Insulated(MI) 3= Erosion-proof 8= Explosion-proof									
9=12V DC Supply H=Hart ⚙Customized									

- Note: 1. The 'Customized' option should be filled your requirements directly.
 2. 'Special requirements' if there are any more options, please use the '/' fill it in seriate.
 3. For process connection N2 the length of extension neck is 150mm. Also you can appointed it. N20 without the neck.
 4. Explosion-proof can only choose the connection head form D.

For Example: STYB-P-----B16-----C200-----D1-----N227-----T3-----O4-----P5-----S0

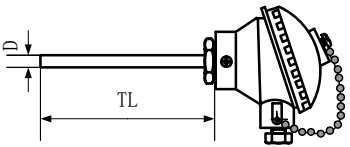

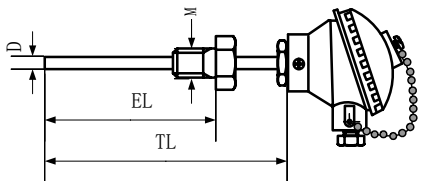

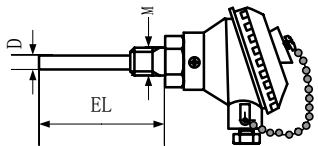

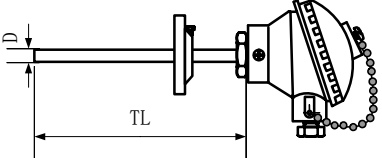

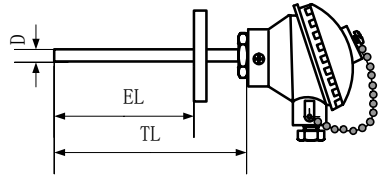

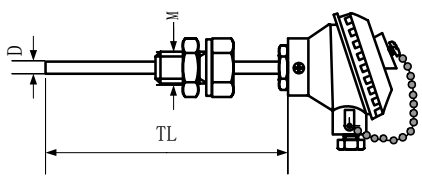

Form P
Diameter D in 16mm
Fitting Length 200
sus321
Thread M27X2
Range 0~100
Output4~20mA
Accuracy 0.5%
None



Integration temperature transmitter

Process connection

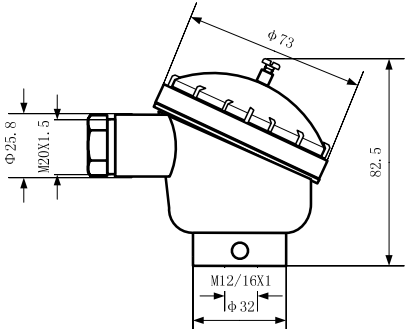

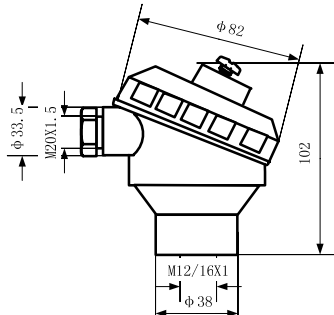

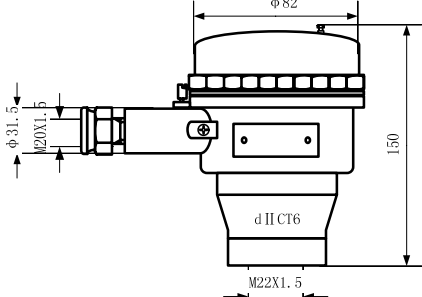

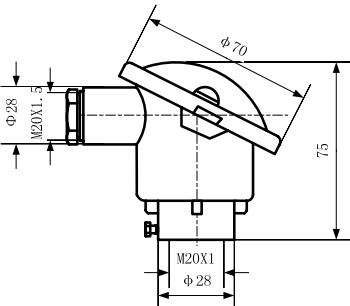

Table 1

Dimensional Drawing	Picture
	
	
	
	
	
	

Integration temperature transmitter

Terminal Head (mm)

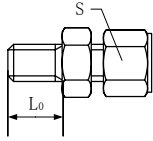
Table 2

Dimensional Drawing	Picture
	
<p>Form P</p>	
	
<p>Form L</p>	
	
<p>Form D</p>	
	
<p>Form G</p>	

Integration temperature transmitter

Compression fitting thread (in mm)

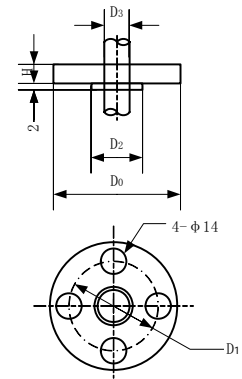
Table 3

Dimensional Drawing	Thread	Diameter (in mm)		
		L_0	S	Protection Tube Diameter
	M8X1.25	10	12	2, 3
	M10X1.5	10	12	2, 3, 4
	M16X1.5	14	22	3, 4, 5, 6, 8

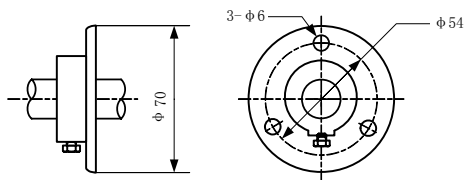
Flange (in mm)

Table 4

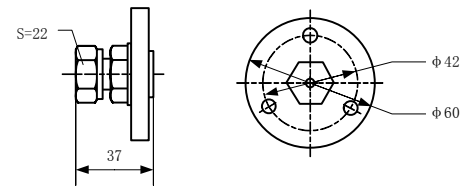
PN1.0 MPa Flange Diameter (mm) (JB/T81-94)					
D_3	D_0	D_1	D_2	H	Weight(kg)
16	95	65	45	12	0.51
12	95	65	45	12	0.51
16	105	75	55	14	0.75
12	105	75	55	14	0.75
16	115	85	65	14	0.89
12	115	85	65	14	0.89



Fixed flange



31 Screw fitting flange



32 Compression fitting flange