

Temperature Transmitter

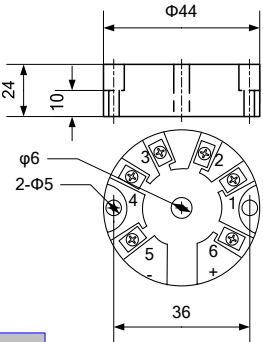

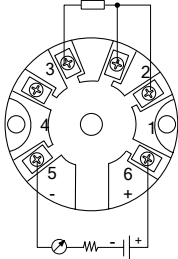
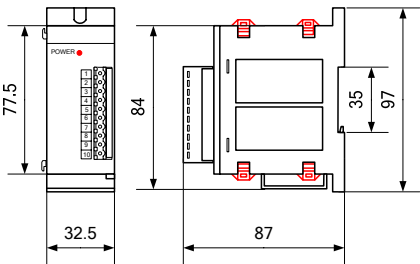

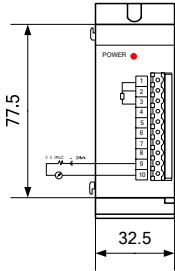
Features:

- Converting RTD or TC input signals into standard current or voltage analogue output signal
- Highly resistant to shock and vibration, moisture-proof
- Cold junction automatic compensation for thermocouples
- Reverse polarity protection circuit
- I/O non-isolation

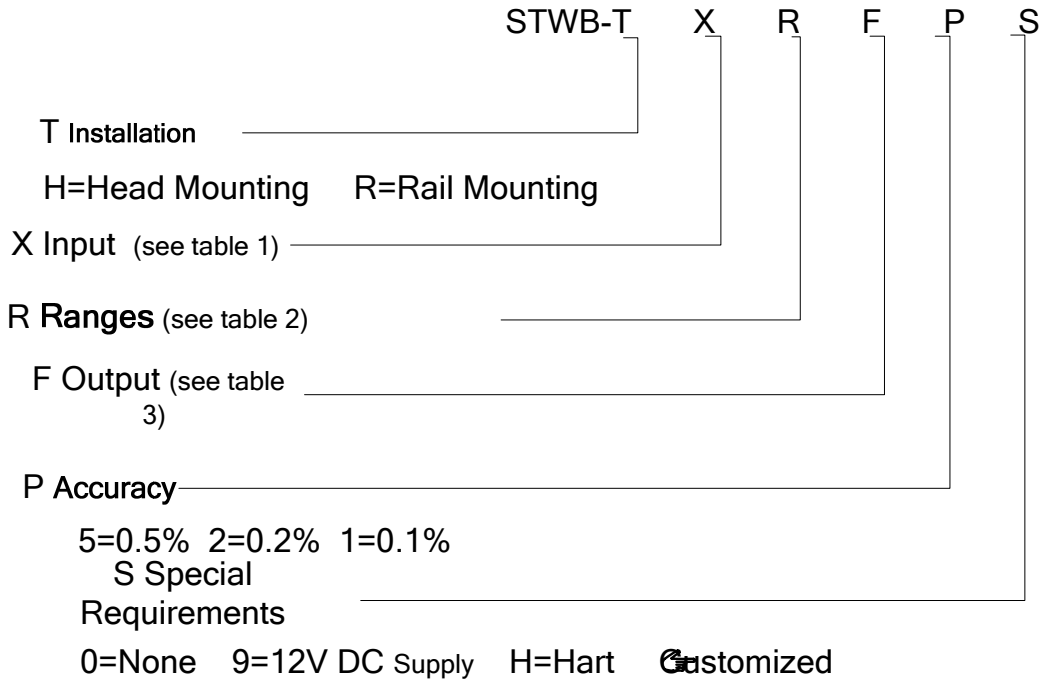
Function and system design:

- Input: Pt100、Pt1000、Cu50、K、N、E、T、J、S、B
- Supply Voltage: 24V DC
- Output: DC 4~20mA 0~10mA Load (Resistance) ≤500Ω
DC 0~5V 0~10V Load (Resistance) ≥100kΩ
- Accuracy: 0.1% 0.2% 0.5%
- Power Consumption: <0.5W
- Ambient temperature range: -20℃~80℃ Humidity: <95%RH

Dimensions and Electrical connection

Dimensional Drawing	Picture	Connection
 <p style="text-align: center; font-weight: bold; background-color: #cccccc; padding: 2px;">H</p>		
 <p style="text-align: center; font-weight: bold; background-color: #cccccc; padding: 2px;">R</p>		

How to order



For Example: STWB-TH---X100T---R05---FA1---P5---S0

Head Mounting PT100 3-wire input 0 100 Range 4 20mA Output 0.5 Accuracy None

Table 1: Input Code table X

Table 2: Ranges Code table R

Table 3: Output Code table F

Temperature Transmitter

Code	Specifications	Optional range
100D	Pt100 2-wire	01~09
100T	Pt100 3-wire	01~09
100F	Pt100 4-wire	01~09
1000D	Pt1000 2-wire	01~09
1000T	Pt1000 3-wire	01~09
1000F	Pt1000 4-wire	01~09
50	Cu50	02~06
K	K	05~13
N	N	05~13
E	E	05~10
T	T	01~07
J	J	05~10
S	S	10~14
B	B	10~14
	Customized	

Code	Ranges °C
01	-200~100
02	-50~50
03	-50~150
04	0~50
05	0~100
06	0~150
07	0~200
08	0~250
09	0~300
10	0~800
11	0~1000
12	0~1100
13	0~1200
14	0~1600
	Customized

Code	Specifications
A1	4~20mA
A2	0~10mA
V1	0~5V
V2	0~10V
	Customized